

Features

The sensor...

- ▶ is designed for the precision measurements of water levels and thus for evaluation of the evaporation rate
- ▶ is developed according to the WMO specification of measuring evaporation for hydrological application with the "Class A" evaporation pans
- ▶ is built in a very robust, corrosion resistant, stainless steel (IP 68) housing
- ▶ is based on a high-quality, sensitive pressure transducer and can measure water levels in the range of 180 mm with an accuracy of 0.4 mm
- ▶ is characterized by a pressure-compensation capillary integrated in the cable. The measuring electronic is included in the safe sensor housing.
- ▶ is easy mounted on a delta shaped base plate. The alignment of the plate can be simply carried out by the level and the set screws.
- ▶ has an 0...5 V output and can be connected to an external data logger to transfer the measuring data

Please note the loss of warranty and non-liability by unauthorised manipulation of the system. You need a written permission of the LAMBRECHT meteo GmbH for changes of system components. These activities must be operated by a qualified technician.

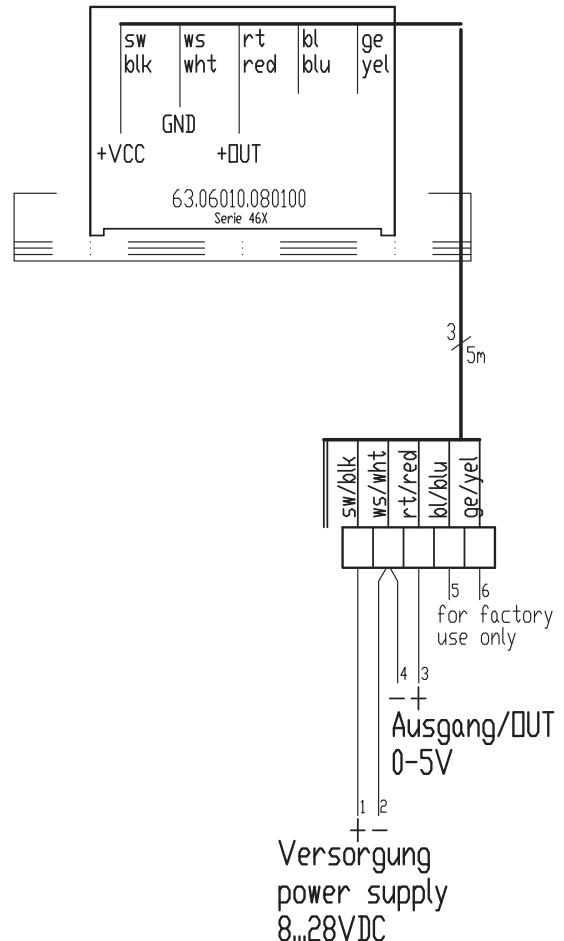
The warranty does not cover:

1. Mechanical damages caused by external impacts (e. g. icefall, rockfall, vandalism).
2. Impacts or damages caused by over-voltages or electromagnetic fields which are beyond the standards and specifications in the technical data.
3. Damages caused by improper handling, e. g. by wrong tools, incorrect installation, incorrect electrical installation (false polarity) etc.
4. Damages which are caused by using the device beyond the specified operation conditions.

Connecting Diagram

Verdunstungssensor
evaporation sensor
No. 00.15235.100001

0-200mm = 0-5 V





Technical data

Water Level Sensor

incl. delta base plate and level stick

Id-No. 00.15235.100 001

Measuring range: 200 mm total/ 180 mm useable
(between Max-/ Min- marks at the level stick)

Measurand: water level differences

Range of application: 0...+60 °C

Resolution: 0.1 mm

Absolute accuracy: 0.4 mm

Supply voltage: 8...28 V_{DC}

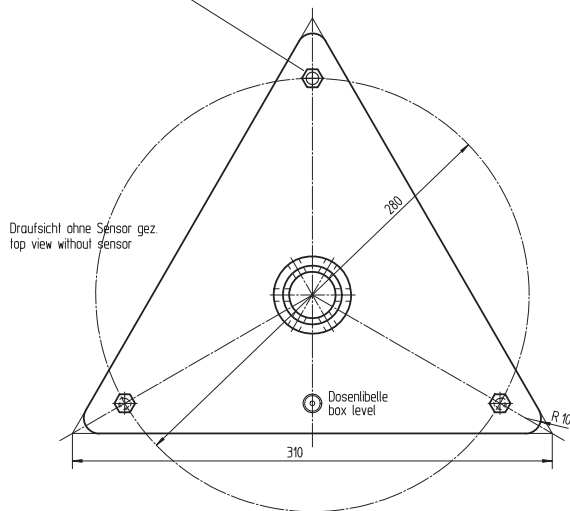
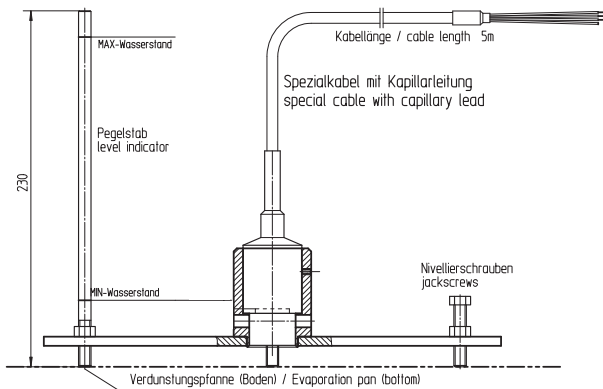
Current consumption: 4 mA

Output: 0...5 V = 0...200 mm

Dimensions/ housing: see drawing/ protection class IP 68

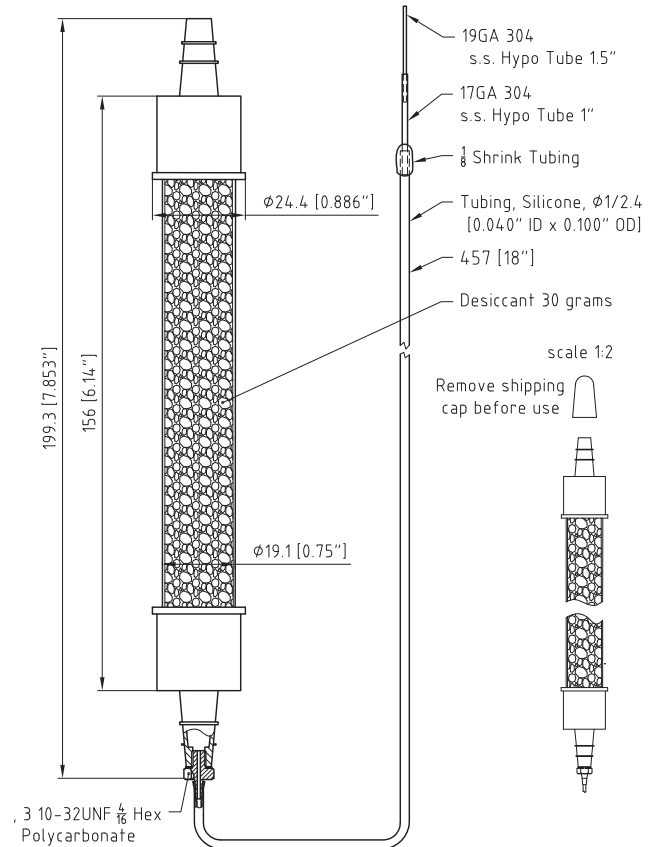
Weight: approx. 3.1 kg

Standards: Stability EN 500 82-1
Emitted interferences EN 500 81-2



Moisture absorber cartridge (spare part, on request)

Id-No. 32.15235.003 000



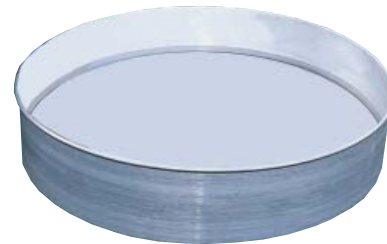
Evaporation pan (option, on request)

Id-No. 00.15230.200 000

Housing: Aluminium

Dimensions: $\phi 1.200$ mm x 250 mm

Weight: 16 kg



The Water Level Sensor for evaporation measurements is used in an evaporation pan for determination of for example the day difference.

The evaluation occurs with a suitable data acquisition system (data logger) and evaluation software.

The MIN/MAX level marks at the dipstick are used to ensure proper function of the Water Level Sensor.

This is a differential measurement, there is no zero balance between output signal and level resp. level mark. The plate screws at the Water Level Sensor are only needed for balancing the sensor.