



Sensor shelter
(accessory)

Technical Data

Air Temperature Sensor

Id-No. 00.08281.008 005

Measuring element: Pt100, 1/3 DIN, DIN 43 760
resp. IEC 751

Meas. range: -30...+70 °C

Accuracy: ± 0.1 °C at 0 °C

Range of application: -60...+90 °C

Dimensions: 120 mm length • 5 mm Ø

Output: Pt100 resistor
100 Ohm at 0 °C

Cable: approx. 7.5 m • 4 x AWG 20 C UL sw

Basic values of the Pt100 resistor

| Temperature [°C] | Resistance [Ohm] | max. Deviation [°C] |
|---------------------|---------------------|------------------------|
| -30 | 88.17 | 0.13 |
| -20 | 92.13 | 0.12 |
| -10 | 96.07 | 0.12 |
| 0 | 100.00 | 0.10 |
| 10 | 103.90 | 0.10 |
| 20 | 107.80 | 0.12 |
| 30 | 111.68 | 0.12 |
| 40 | 115.54 | 0.12 |

Function

The temperature sensor (8281) registers ambient temperature by a temperature dependent resistor (thin film platinum resistance).

The sensor shelter (8141.6) protects the sensor against unmeant weather influences like precipitation and solar radiation.

Accessories

Sensor shelter (8141.6)

Id-No. 00.08141.600 000

suitable for mounting of the sensor (8281) via adapter:

Id-No. 32.08141.001 010

See also figure overleaf.

Two-channel transducer (8763 TH)

Id-No. 00.08763.012 002

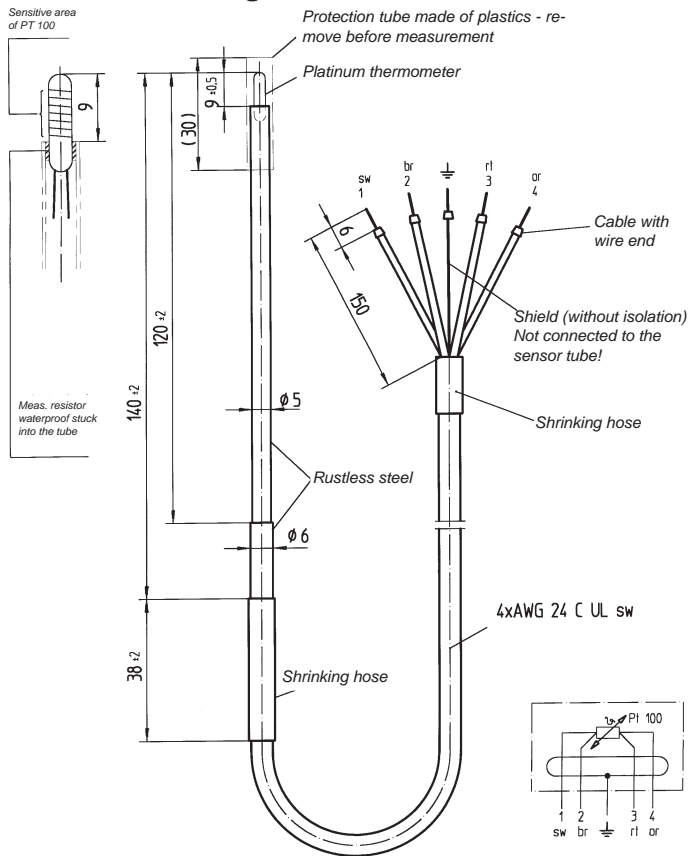
For the connection of a temperature sensor, e. g. type (8241) or (8281) and/ or of a humidity sensor, e. g. type (800) • over-voltage protection inclusive

Supply voltage: 10...30 VDC

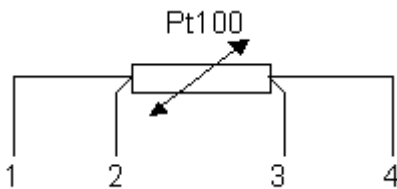
2 outputs: 0(4)...20 mA, max. load 1.2 kOhm
at 24 VDC • 0...2 V

Further data see manual of the transducer (8763 TH).

Technical drawing

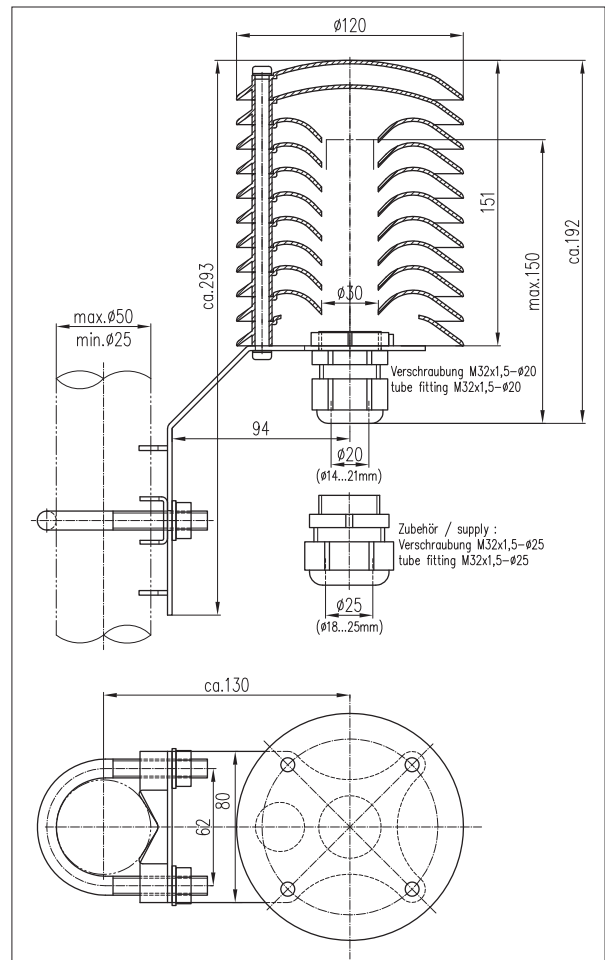


- The connection should be carried out by a 4 core technic.
- Recommendation of cable specification: 4 x AWG 20 C UL sw.



| Ader Core | AWG C UL | | | | Electric Wiring |
|--------------|--------------|-------------|-------------|-------------|--------------------|
| | AWG-Farbcode | Colour code | Colour code | Colour code | |
| 1 | schwarz sw | black | blk | J+ | |
| 2 | braun br | brown | brn | U+ | |
| 3 | rot rt | red | red | U- | |
| 4 | orange or | orang | ora | J- | |

Sensor Shelter (8141.6)



Please note the loss of warranty and non-liability by unauthorised manipulation of the system. You need a written permission from LAMBRECHT meteo GmbH for changes of system components. These activities must be operated by a qualified technician.

The warranty does not cover:

1. Mechanical damages caused by external impacts (e. g. icefall, rockfall, vandalism).
2. Impacts or damages caused by over-voltages or electromagnetic fields which are beyond the standards and specifications in the technical data.
3. Damages caused by improper handling, e. g. by wrong tools, incorrect installation, incorrect electrical installation (false polarity) etc.
4. Damages which are caused by using the device beyond the specified operation conditions.



Quality System certified by DQS according to
DIN EN ISO 9001:2008 Reg.No. 003748 QM08

Specifications subject to change without notice.

08281_b-de.indd 19.17

LAMBRECHT meteo GmbH
Friedländer Weg 65-67
37085 Göttingen
Germany

Tel +49-(0)551-4958-0
Fax +49-(0)551-4958-312
E-Mail info@lambrecht.net
Internet www.lambrecht.net